



Self Loan Station Customisation

FE TECHNOLOGIES *RFID that works.*

The Self Loan Stations are extremely customisable, designed so that they complement any library interior, with a look that is both attractive, and draws the attention of library patrons to the borrowing area.

Here's how our Self Loan Stations can be customised:



V5 Side and Front Schematic



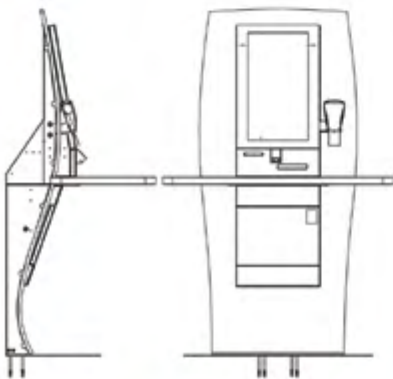
V5 Self Loan Station

The V5 Self Loan Station features an LED halo that can be lit in your corporate colour. You can even light each loan station in a different colour to match it to different areas of the library. Alternatively, the halo surrounding the touchscreen can have an industrial-grade vinyl "skin" designed in the library or Council's logos and colours. It can even be coated with a designed paint of your choice.

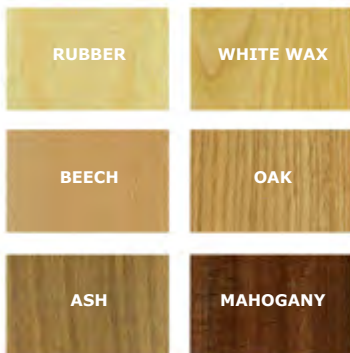
The large practical benchtop of the Self Loan Station is available in either black laminate or scuff resistant glass.

The V5 can be installed back to back, mounted on a wall, or the leg removed so it can be simply placed on a benchtop.

There is also a height-adjustable version available that allows you to set the height of the Self Loan Station via a telescopic pedestal built into the leg of the unit.



S1 Side and Front Schematic



Wood Options



S1 Self Loan Station

The S1 Self Loan Station is available in a range of architectural wooden finishes, ideal for library's who wish to integrate the unit into an existing wooden interior or to match existing wooden shelving and other furniture. The S1 is also available with a customisable high-grade vinyl "skin" that can be designed in the library or Council's logos and colours.



FE TECHNOLOGIES
RFID that works.

We'd love to discuss library RFID and its benefits with you and your team. We can gladly set up a demonstration of our products at your premises, arrange a tour of our site, or a visit to one of our up and running RFID libraries.

Give us a call: **1 300 731 991**
Send us an email: **enquiries@fetechgroup.com**
Or visit our website: **www.fetechgroup.com**